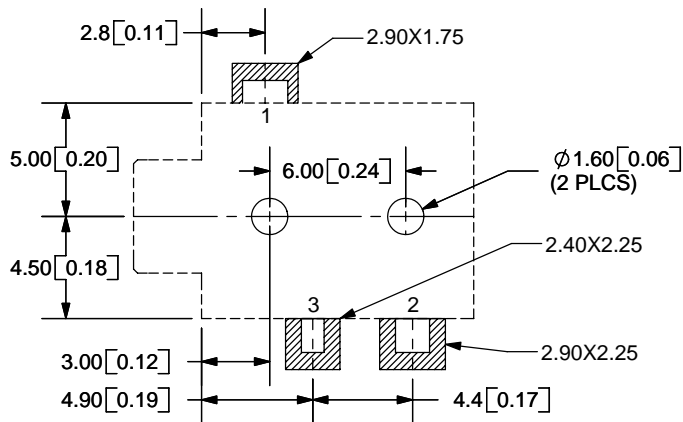
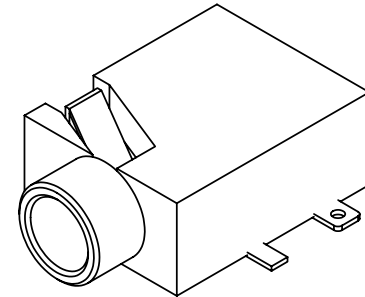
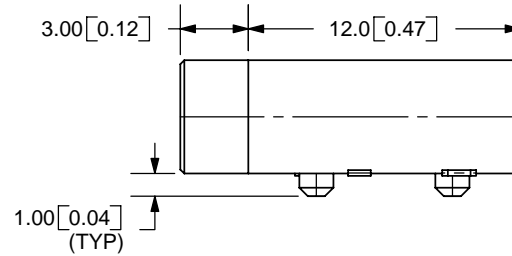
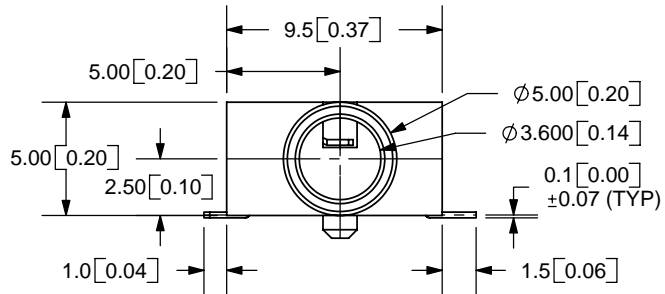
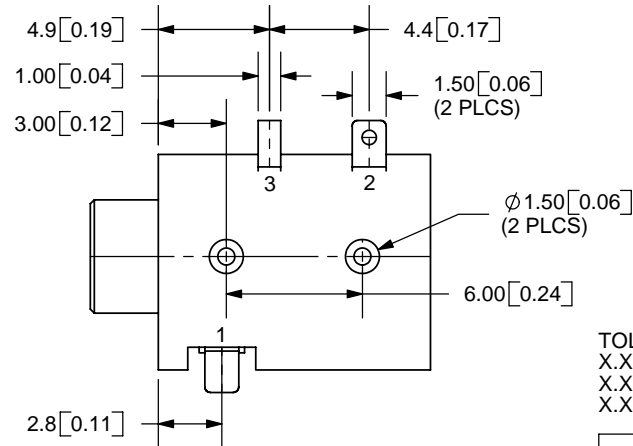


REV.	DESCRIPTION	DATE
A	NEW DRAWING	11/21/2005



PCB LAYOUT
TOP VIEW



TOLERANCE:
X.X ±0.2mm
X.XX ±0.1mm
X.XXX ±0.05mm



9615 SW Allen Blvd., Ste. 103
Beaverton, OR 97005
Phone: 503-643-4899
800-275-4899
Fax: 503-372-1266
Website: www.cui.com

SPECIFICATIONS:
RATING: 16V DC @ 300mA
CONTACT RESISTANCE: 30m OHMS MAX
INSULATION RESISTANCE: 50M OHMS MIN: 500V DC
VOLTAGE WITHSTAND: 500V AC R.M.S. FOR 1 MINUTE
LIFE: 5,000 CYCLES

MODEL NO.	MJ1-3510-SMT
SCHEMATIC	

	MATERIAL	PLATING	TITLE:	REV:
TERMINAL 1	Copper Alloy	Gold	3.5mm SURFACE MOUNT AUDIO JACK-MONO	A
TERMINAL 2	Copper Alloy	Gold	PART NO. MJ1-3510-SMT	UNITS: MM [INCHES]
TERMINAL 3	Brass	Gold		
HOUSING	PA6T		DRAWN BY: ZRJ	APPROVED BY:
			SCALE:	3:1

PC FILE NAME:
MJ1-3510-SMT

COPYRIGHT 2006 BY CUI INC.